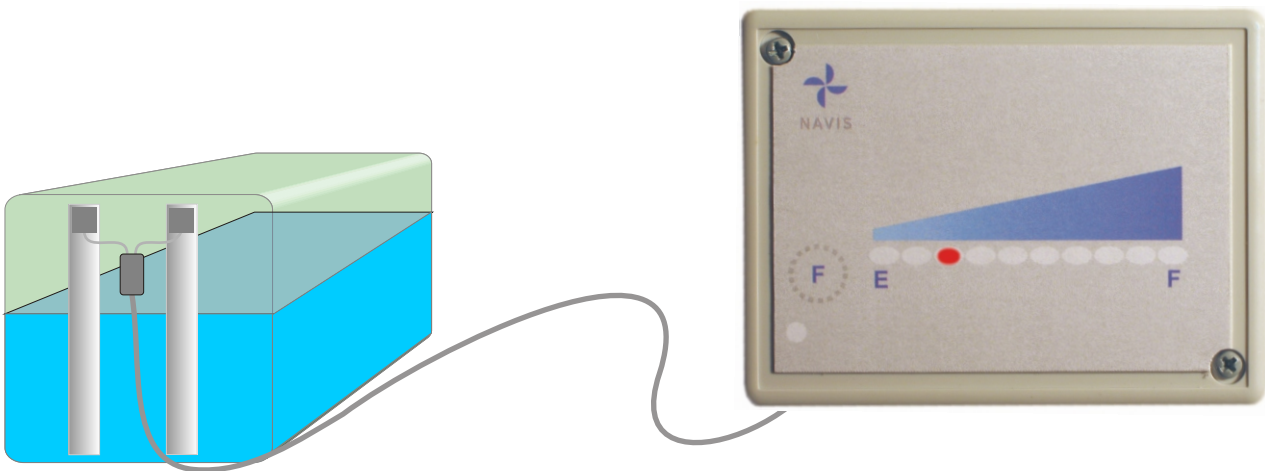




TANK LEVEL MONITOR

LEVELWATCH 101



- ▶ **MONITORING OF WATER AND WASTE WATER ON PLASTIC OR METAL TANKS**
- ▶ **SELF ADHESIVE SENSOR IS PLACED OUTSIDE OF THE TANK (on plastic tanks)**
- ▶ **BATTERY OPERATED**
- ▶ **UP TO 5 YEARS BATTERY LIFE**
- ▶ **EASY AND QUICK INSTALLATION**

LEVELWATCH 101 is level monitor developed for monitoring of level in fresh water and gray water tanks on boats or campers. It consists of a monitor with 10 LED diodes and a sensor.

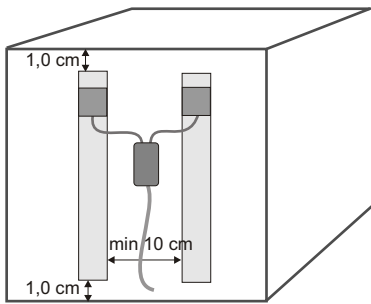
There are three different types of sensors available: foil sensor for fresh water plastic tanks, rod sensor for fresh or black water metal tanks and rod 2 sensor for all fresh or black water tanks.

- Foil sensor is placed from outside the tank therefore drilling of tank is not necessary.

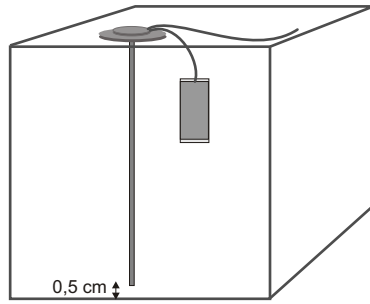
Sensor consists of two strips of self adhesive aluminum foils and a sensor module. Mounting is very easy and can be done by unskilled person.

- Internal rod sensor for metal tanks is mounted through only 7 mm diameter hole, drilled on top side of the tank.

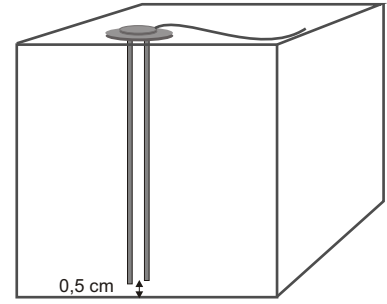
Battery operation enables the monitor to be placed anywhere on the boat. Because of extremely low power consumption the battery life is up to 5 years.



Foil sensor for plastic tanks



Rod sensor for metal tanks



Rod2 sensor for all tanks

MOUNTING

Foil sensor (for plastic tanks only)

Self adhesive foil strips are cut to suitable lengths and applied from outside of the tank. The self adhesive sensor module is placed between strips. Two self adhesive electrodes are applied on the strips.

Rod sensor (for metal tanks only)

For mounting, only one 7 mm hole must be drilled on top of the tank. Electrode is cut to suitable length and adhered into a hole. Another electrode, self adhesive foil, is applied to the tank.

Rod2 sensor (for all tanks)

Sensor has SAE 5 hole mounting pattern or optional 1" adapter. Electrodes are cut to suitable length and mounted to the tank.

Monitor can be placed anywhere on the boat since it is battery operated. Mounting is done with mounting tape on the back side of the monitor.

OPERATING PRINCIPLE

Sensors works on capacitive principle and has no moving parts which are sensitive to wearing and clogging. Foil sensor is mounted outside the tank and measure the level from safe distance.

TECHNICAL DATA

Data refresh rate:	1 minute
Resolution:	10 % (10 LED diodes)
Battery	2 x 1,5V AA Mignon
Battery life:	up to 5 years
Dimension monitor:	80 x 60 x 21 mm
Cable length:	5 m (other length available upon request)
Length of rod sensor:	50 cm (other length available upon request)

MODELS LW 101/F - monitor with foil sensor
 LW 101/R - monitor with rod sensor
 LW 101/R2 - monitor with rod2 sensor

WARRANTY: 12 months