

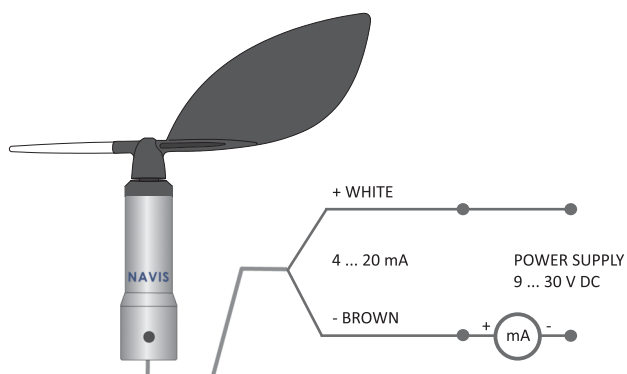
WIND DIRECTION SENSOR

WDS 100/4-20mA

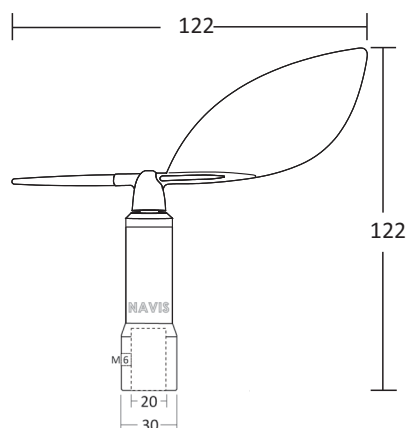


- ▶ replaceable wind vane
- ▶ field replaceable bearings
- ▶ UV and shock resistant wind vane
- ▶ magnetic, contactless measuring principle with no blank sectors

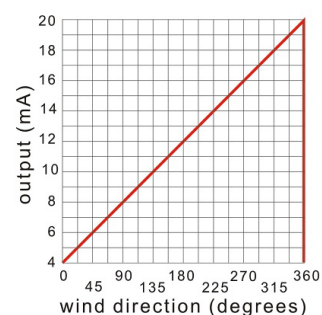
WIRING



DIMENSIONS



OUTPUT





NAVIS

ORDERING INFORMATION

MODELS

- WDS100/4-20mA

OPTIONS

- various cable length

SPARE PARTS

- 1 Spare wind vane
- 2 WDS sensor head with bearings



TECHNICAL DATA

Wind direction measurement range:	0 ... 359°, no blank sectors
Resolution:	1°
Minimum wind speed:	0,3 m/s
Measurement principle:	magnetic, contactless
Operating voltage:	9 ... 30 V DC
Signal output:	4 ... 20 mA, 2 wire
Output averaging period:	2 s
Accuracy:	+/- 2,5°
Loop resistance:	max. 600Ω /24V
Reverse polarity protection:	YES
Transient voltage protection:	YES
Temperature operating range:	-30 ... +55 °C
Relative humidity:	0 ... 100%
Cable:	Liyy 2 x 0,34 mm ² ; 10 m standard
Bearings (replaceable):	2 x precision stainless steel Ball bearings
Material - housing:	Anodized aluminum
- vane (replaceable):	UV and shock resistant plastic
Weight:	140 g , without cable
Mounting:	the sensor mounts on a pipe with ø20 mm outside diameter